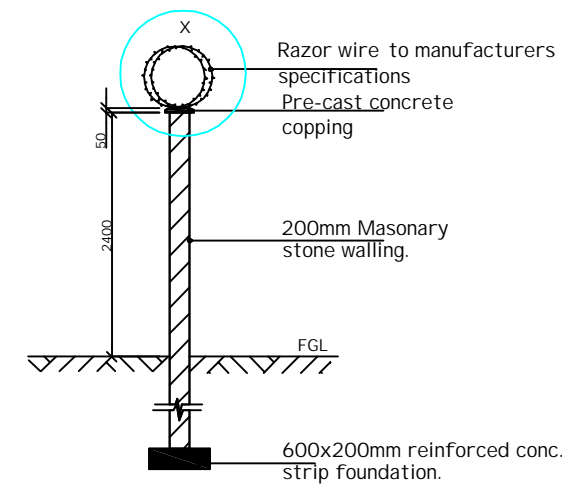
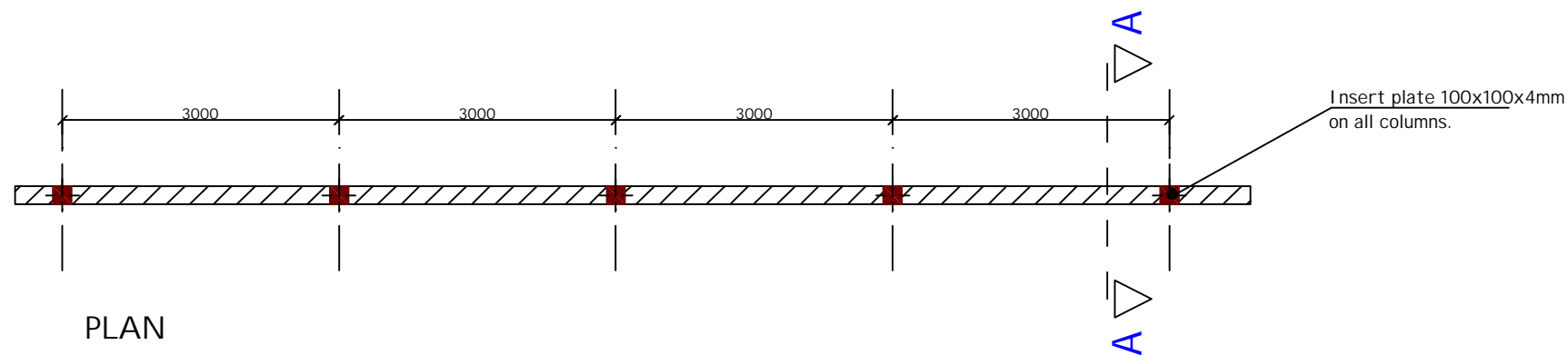


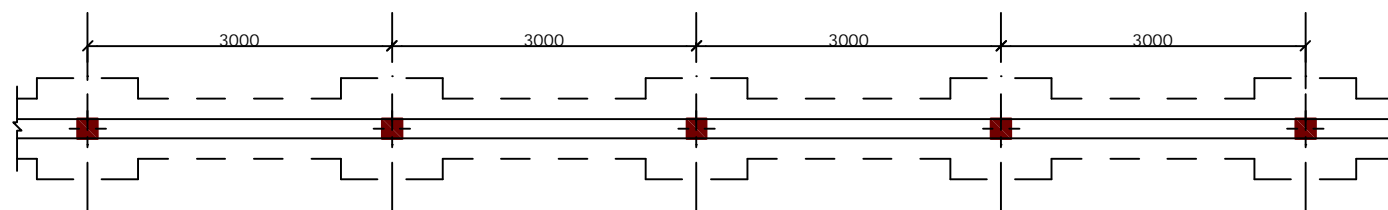
FRONT VIEW



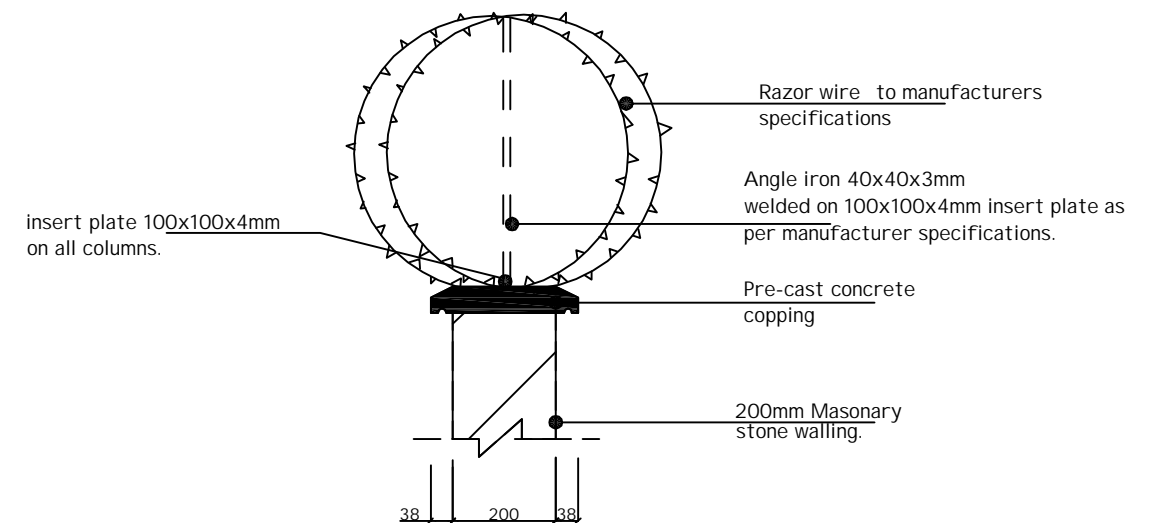
SECTION A - A



PLAN



FOUNDATION PLAN



DETAIL X

	NAME	DATE	SIGN
APPROVED			
CHECKED ENGINEER I/C			
CHECKED PRINCIPAL D/MAN	B. GAITHO		
DRAWN	J.M. Kahare	23/02/2010	Kahare
TRACED			

REF	REVISION	DATE	SIGN	CHECKED	DATE
1	Razor wire mounting details	22/06/2010			
2					
3					
4					
5					
6					

DETAILS OF SECURITY FENCE AT PRIMARY SUB - STATION

SCALE 1 : 50

SHEET 1A



K.P.&L.Co.Ltd

SK. No. 07044/B